

DE Montage- und Bedienungsanleitung

KHS Venturi-Strömungsteiler

Fig. 650 00 | 650 02 | 650 06

Fig. 650 07 | 650 08 | 650 20

EN Installation and Operating Manual

KHS Flow-Splitter

Fig. 650 00 | 650 02 | 650 06

Fig. 650 07 | 650 08 | 650 20

FR Instructions de montage et d'utilisation

du diviseur de débit Venturi KHS

Fig. 650 00 | 650 02 | 650 06

Fig. 650 07 | 650 08 | 650 20

IT Istruzioni di montaggio e d'uso

per il divisore di flusso KHS Venturi

Fig. 650 00 | 650 02 | 650 06

Fig. 650 07 | 650 08 | 650 20

NL Installatie- en bedieningshandleiding

KHS Venturi-stromingsdeler

Fig. 650 00 | 650 02 | 06

Fig. 650 07 | 650 08 | 650 20



Fig. 650 00



Fig. 650 02



Fig. 650 06



Fig. 650 07



Fig. 650 08



Fig. 650 20





About this manual
Safety instructions
Scope of delivery
Dimensions
Installation
Flow conditions
Assembly
KHS quarter turn stop valve
Function check

Translation of original operating manual

Manufacturer's address

Gebr. Kemper GmbH + Co. KG
Harkortstraße 5
57462 Olpe
Tel: +49 2761 891-0
Web: www.kemper-olpe.de

After-sales service

Service hotline
Tel: +49 2761 891 800
Mail: anwendungstechnik@kemper-olpe.de

About this manual

Read this manual carefully before starting installation, commissioning, operation and maintenance, and follow the instructions!

Always pass on this manual to the current plant operating organisation. The plant operating organisation must retain the manual for later reference.

The general illustrations in this manual are based on Fig. 650 02, serve to aid basic understanding and may differ from the actual system configuration. This manual is protected by copyright. Copyright lies with the manufacturer.

Target group

This manual is intended for specialists who carry out the installation of the KHS Flow-Splitter. It is also intended for the plant operating organisation.

Personal qualifications

The KHS Flow-Splitter may only be installed by specialists.

Liability

No warranty or liability is accepted for:

- Failure to follow these instructions.
- Incorrect installation and/or use.
- Unauthorised modification of the product.
- Other improper methods of operation.



Installation and usage

The connections must be protected from construction dust.

Before installation is completed, a leak test must be carried out.

Priority must be given to compliance with national standards and regulations for plumbing installation and for accident prevention.

Usage

The valve should only be used

- in perfect condition
- as intended

Important information for the plant operating organisation

Max. operating temperature: 90 °C
Pressure rating: PN 16

Safety instructions

Be sure to read and follow the safety instructions in this manual. Failure to observe the warnings may lead to injury or material damage!

The following safety instructions are used in this manual:



Warning!

Indicates hazards that may result in injury, damage to property



Note!

Indicates hazards that may result in system damage or malfunctions.

Other symbols in this manual:



Inspection in accordance with EN 806-5

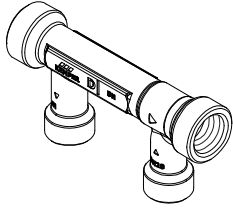


Fig. 650 00
Fig. 650 06

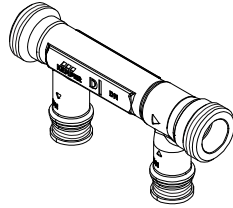


Fig. 650 02
Fig. 650 07

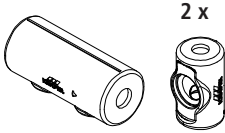
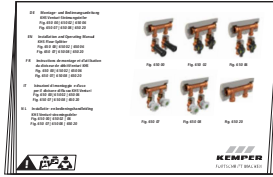


Fig. 650 00

max. Einbautiefe: 110 mm
max. installation depth: 110 mm
Profondeur d'installation max.: 110 mm
max. inbouwdiepte: 110 mm

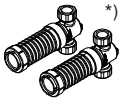
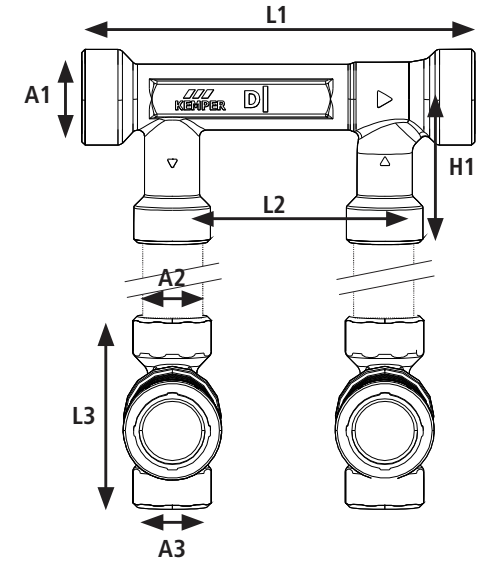


Fig. 650 00

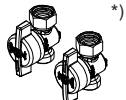


Fig. 650 02

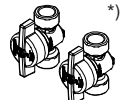


Fig. 650 06



Fig. 650 07

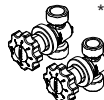


Fig. 650 08



DIN EN 806-2 DIN 1988-200
DIN EN 806-5 DIN 1988-300



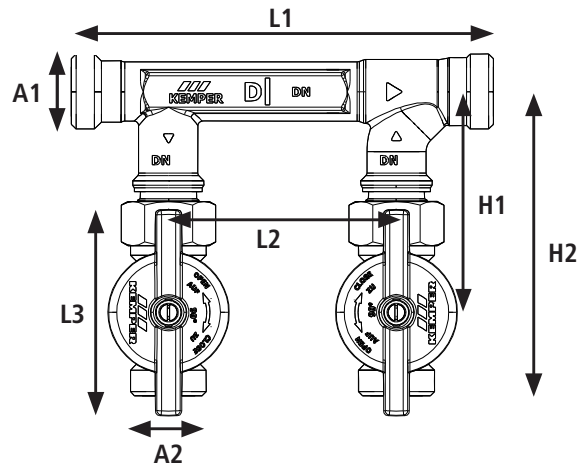
	WRAS	SVGW **)	Water Mark Level 1	ÜA
Fig.	650 00 650 02	650 07 650 08	650 00 650 06 650 20	650 00 650 02
	650 06 650 20			650 06 650 20

***) DE Zur Verlängerung beantragt.
EN applied for extension.
FR En demande de prolongation.
IT Chiesto una proroga.
NL Verlenging gevraagd.

Art.-No.	A1	A2	A3	H1 (mm)	L1 (mm)	L2 (mm)	L3 (mm)	kg
6500001500	Rp 1/2	Rp 1/2	Rp 1/2	48,5	185	100	84	1,804
6500002000	Rp 3/4	Rp 3/4	Rp 3/4	58,5	185	100	90	2,225
6500002500	Rp 1	Rp 3/4	Rp 3/4	68,5	185	100	90	2,477
6500003200	Rp 1 1/4	Rp 3/4	Rp 3/4	73,5	195	100	90	2,569
6500004000	Rp 1 1/2	Rp 1	Rp 1	78,5	206	100	99	3,732
6500005000	Rp 2	Rp 1	Rp 1	88,5	219	100	99	4,385
6500022000	Rp 3/4	Rp 3/4	Rp 1/2	58,5	185	100	84	2,092
6500022500	Rp 1	Rp 3/4	Rp 1/2	68,5	185	100	84	2,346
6500023200	Rp 1 1/4	Rp 3/4	Rp 1/2	73,5	195	100	84	2,446
6500024000	Rp 1 1/2	Rp 1	Rp 1/2	78,5	206	100	84	2,991
6500025000	Rp 2	Rp 1	Rp 1/2	88,5	219	100	84	3,689
6500044000	Rp 1 1/2	Rp 1	Rp 3/4	78,5	206	100	90	3,153
6500045000	Rp 2	Rp 1	Rp 3/4	88,5	219	100	90	3,881



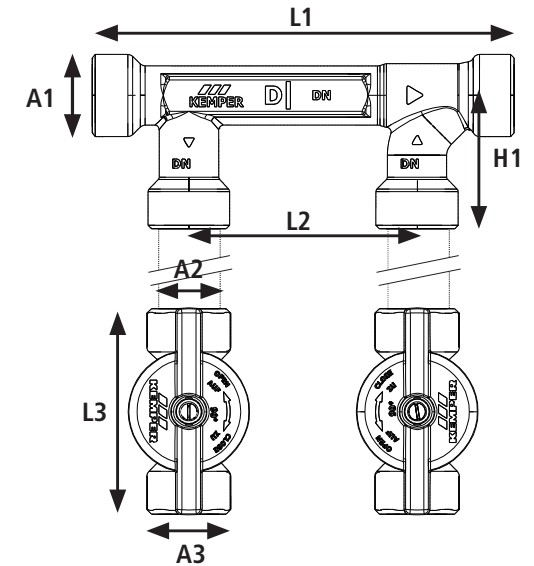
Fig. 650 02



Art.-No.	A1	A2	H1 (mm)	H (mm)	L1 (mm)	L2 (mm)	L3 (mm)	kg
6500201500	G 3/4	G 3/4	84,5	118,5	185	100	90	1,631
6500202000	G 1	G 1	97	133,5	185	100	90	1,993
6500202500	G 1 1/4	G 1	107	143,5	185	100	90	2,172
6500203200	G 1 1/2	G 1	112	148,5	195	100	90	2,336
6500204000	G 1 3/4	G 1 1/4	124,5	168,5	206	100	90	3,455
6500205000	G 2 3/8	G 1 1/4	134,5	178,5	219	100	90	4,061



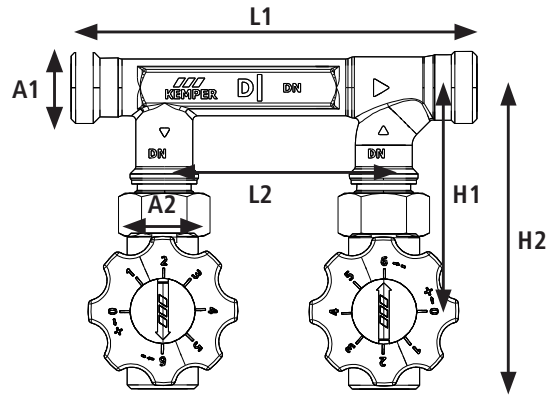
Fig. 650 06



Art.-No.	A1	A2	H1 (mm)	H (mm)	L1 (mm)	L2 (mm)	L3 (mm)	kg
6500601500	Rp 1/2	Rp 1/2	Rp 1/2	48,5	185	100	84	1,735
6500602000	Rp 3/4	Rp 3/4	Rp 3/4	58,5	185	100	90	2,148
6500602500	Rp 1	Rp 3/4	Rp 3/4	68,5	185	100	90	2,394
6500603200	Rp 1 1/4	Rp 3/4	Rp 3/4	73,5	195	100	90	2,51
6500604000	Rp 1 1/2	Rp 1	Rp 1	78,5	206	100	99	3,522
6500605000	Rp 2	Rp 1	Rp 1	88,5	219	100	99	4,165
6500622000	Rp 3/4	Rp 3/4	Rp 1/2	58,5	185	100	84	2,001
6500622500	Rp 1	Rp 3/4	Rp 1/2	68,5	185	100	84	2,225
6500623200	Rp 1 1/4	Rp 3/4	Rp 1/2	73,5	195	100	84	2,403
6500624000	Rp 1 1/2	Rp 1	Rp 1/2	78,5	206	100	84	2,925
6500625000	Rp 2	Rp 1	Rp 1/2	88,5	219	100	84	3,589
6500644000	Rp 1 1/2	Rp 1	Rp 3/4	78,5	206	100	90	3,112
6500645000	Rp 2	Rp 1	Rp 3/4	88,5	219	100	90	3,751

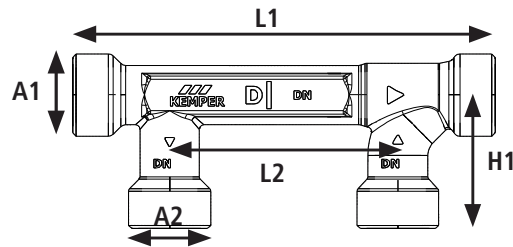


Fig. 650 07



Art.-No.	A1	A2	H1 (mm)	H (mm)	L1 (mm)	L2 (mm)	kg
6500701500	G 3/4	G 3/4	87	123,5	185	100	1,798
6500702000	G 1	G 1	97	133,5	185	100	2,193
6500702500	G 1 1/4	G 1	107	143,5	185	100	2,407
6500703200	G 1 1/2	G 1	112	148,5	195	100	2,595
6500704000	G 1 3/4	G 1 1/4	124,5	168,5	206	100	3,599
6500705000	G 2 3/8	G 1 1/4	134,5	178,5	219	100	4,162

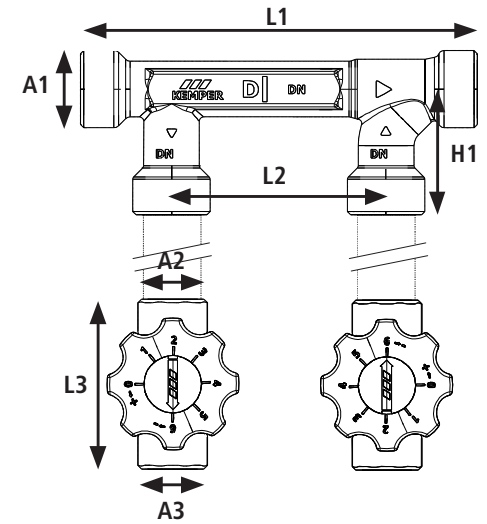
Fig. 650 20



Art.-No.	A1	A2	H1 (mm)	H (mm)	L1 (mm)	L2 (mm)	kg
6502001500	Rp 1/2	Rp 1/2	48,5	185	100	0,589	1,798
6502002000	Rp 3/4	Rp 3/4	58,5	185	100	0,809	2,193
6502002500	Rp 1	Rp 3/4	68,5	185	100	1,026	2,407
6502003200	Rp 1 1/4	Rp 3/4	73,5	195	100	1,181	2,595
6502004000	Rp 1 1/2	Rp 1	78,5	206	100	1,673	3,599
6502005000	Rp 2	Rp 1	88,5	219	100	2,323	4,162



Fig. 650 08



Art.-No.	A1	A2	H1 (mm)	H (mm)	L1 (mm)	L2 (mm)	L3 (mm)	kg
6500801500	Rp 1/2	Rp 1/2	Rp 1/2	48,5	185	100	84	1,925
6500802000	Rp 3/4	Rp 3/4	Rp 3/4	58,5	185	100	90	2,313
6500802500	Rp 1	Rp 3/4	Rp 3/4	68,5	185	100	90	2,539
6500803200	Rp 1 1/4	Rp 3/4	Rp 3/4	73,5	195	100	90	2,757
6500804000	Rp 1/2	Rp 1	Rp 1	78,5	206	100	99	3,658
6500805000	Rp 2	Rp 1	Rp 1	88,5	219	100	99	4,343

Dämmschale · Insulation shell · Coque isolante · Rivestimento isolante · Isolatieschaal

Art.-No.	DN	D1	L1
4712001500	15	70	225
4712002000	20	80	230
4712002500	25	100	230
4712003200	32	115	245
4712004000	40	130	261
4712005000	50	150	274

